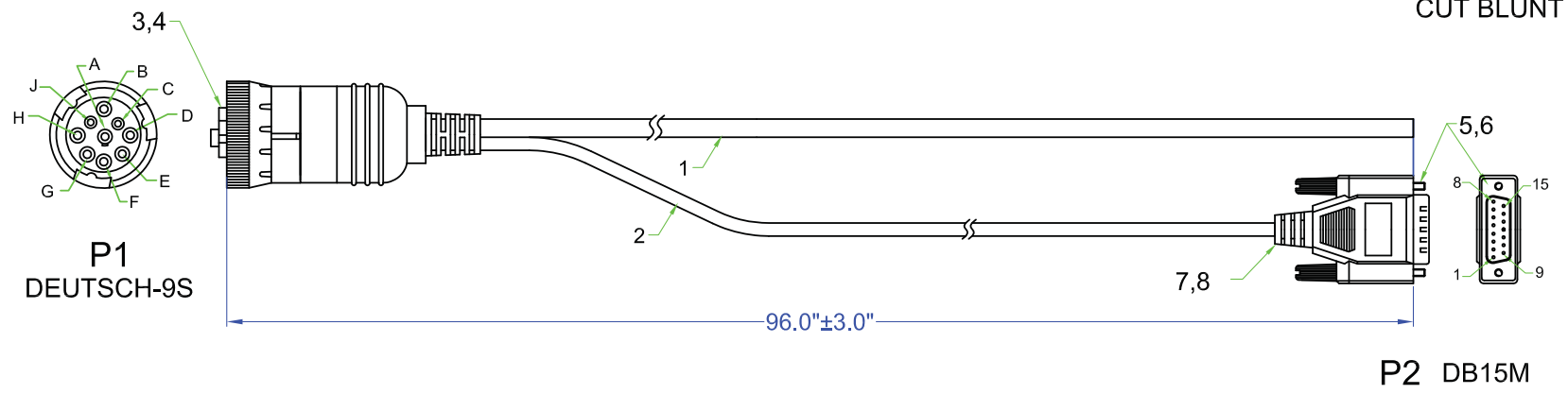


4 | 3 | 2 | 1

THIS PRODUCT CONTAINS PROPRIETARY INFORMATION OF OCP GROUP, INC. AND IS SUBJECT TO THE CONDITIONS THAT THE INFORMATION: (A) BE RETAINED IN CONFIDENCE, (B) NOT BE REPRODUCED OR COPIED IN WHOLE OR IN PART, (C) NOT BE USED INCORPORATED IN ANY PRODUCT EXCEPT ON AN EXPRESS WRITTEN AGREEMENT WITH OCP GROUP, INC.

REVISIONS				
REV	ECN	AREA	DESCRIPTION	APP'D
A	-	-	INITIAL RELEASE	CJG

P1 DEUTSCH-9S	P2 DB15M	P3 CUT BLUNT	
H	2		BLACK
J	3		BROWN
A	6		RED
E	7		ORANGE
B	8		YELLOW
D	12		GREEN
C	13		BLUE
G	14		PURPLE
F	15		GRAY



7	4/40 Screws	2
6	D-SUB 15P Male Plug	1
5	Terminals	9
4	Deutsch - 9 Pin Female Housing	1
3	UL2464, 24 AWG, 9C+Drain, AL Foil Shielding, Black jacket	A/R
2	UL2464, 18 AWG, 9C+Drain, AL Foil Shielding, Black jacket	A/R

UNLESS OTHERWISE SPECIFIED	
CABLE TOLERANCE	
LENGTH +/- 3%	
CONNECTOR TOLERANCE	
.XXX±	LINEAR
.XX±	LINEAR

ocp

SCALE: NTS DATE: 10/20/11
 UNITS: in CHK'D: CJG
 DRAWN BY: cj APP'D: CJG

TITLE: Deutsch 9-pin Connector Blunt End & DB15 Male			
OCP PART NO.: 11760-03-225			
CUSTOMER: TBD			
SIZE	DRAWING NUMBER:	REV	SHEET
A	11760-03-225	A	1/1

ITEM	DESCRIPTION/REMARKS	QTY
------	---------------------	-----

4 | 3 | 2 | 1