

4

3

2

1

WIRING

OBD II MALE	WIRE COLOR
1	BLACK
2	BROWN
3	RED
4	ORANGE
5	YELLOW
6	GREEN
7	BLUE
8	PURPLE
9	GREY
10	WHITE
11	PINK
12	LIGHT GREEN
13	LIGHT BLUE
14	RED/BLACK
15	YELLOW/BLACK
16	WHITE/BLACK

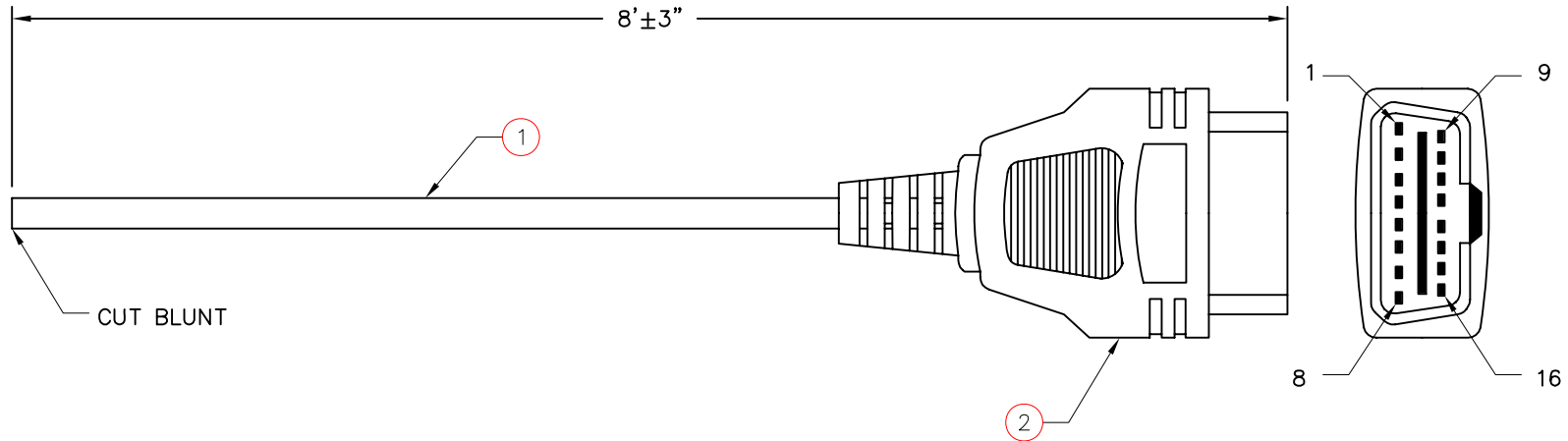


THIS PRODUCT CONTAINS PROPRIETARY INFORMATION OF OCP GROUP, INC. AND IS SUBJECT TO THE CONDITIONS THAT THE INFORMATION: (A) BE RETAINED IN CONFIDENCE. (B) NOT BE REPRODUCED OR COPIED IN WHOLE OR IN PART. (C) NOT BE USED INCORPORATED IN ANY PRODUCT EXCEPT ON AN EXPRESS WRITTEN AGREEMENT WITH OCP GROUP, INC.

REVISIONS

DATE	REV	AREA	DESCRIPTION	APP'D
08/08	A	-	INITIAL RELEASE	CJG

FRONT VIEW



D

D

C

C

B

B

A

A

6		
5		
4		
3		
2	OBD 16PIN MALE PLUG, SOLDER TYPE	1
1	UL2464, 16C, 24AWG, BLACK PVC JACKET	1
ITEM	DESCRIPTION/REMARKS	QTY

UNLESS OTHERWISE SPECIFIED	
CABLE TOLERANCE	
LENGTH +/- 3%	
CONNECTOR TOLERANCE	
.XXX±	LINEAR
.XX±	LINEAR



SCALE: FREE DATE: 08/28/2008
 UNITS: INCH CHK'D: CJG
 DRAWN BY: LAO APP'D: MJC

TITLE:			
OBDII Male 8' to blunt cut			
OCP PART NO.: 11760-03-300			
CUSTOMER: OBD			
SIZE	DRAWING NUMBER:	REV	SHEET
A	11760-03-300	A	1/1

4

3

2

1