

4

3

2

1

WIRING

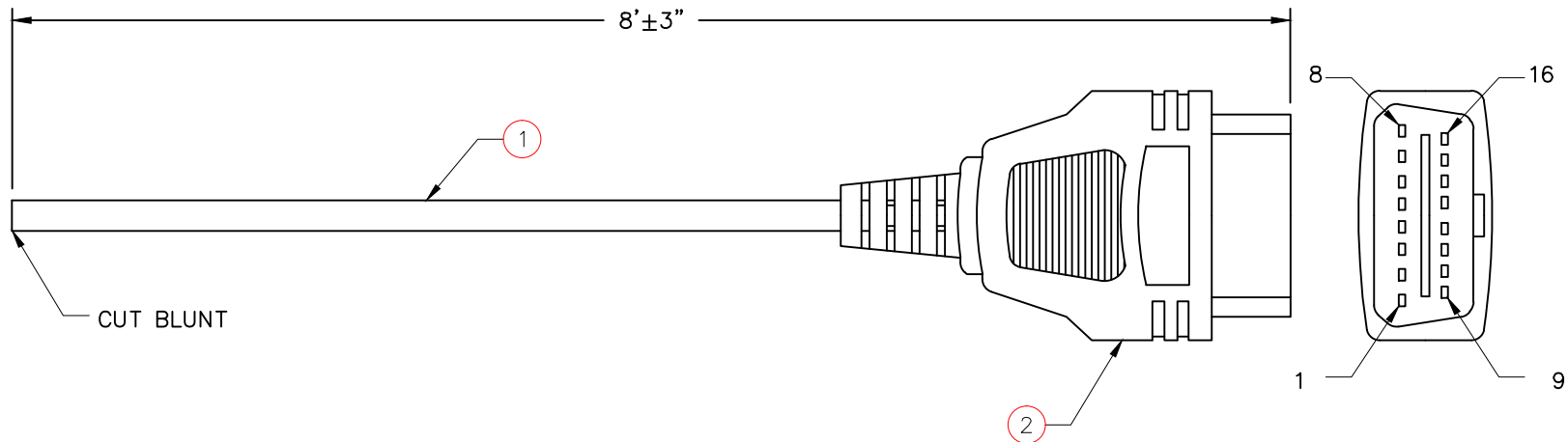
| OBD II FEMALE | WIRE COLOR |
|---------------|--------------|
| 1 | BLACK |
| 2 | BROWN |
| 3 | RED |
| 4 | ORANGE |
| 5 | YELLOW |
| 6 | GREEN |
| 7 | BLUE |
| 8 | PURPLE |
| 9 | GREY |
| 10 | WHITE |
| 11 | PINK |
| 12 | LIGHT GREEN |
| 13 | LIGHT BLUE |
| 14 | RED/BLACK |
| 15 | YELLOW/BLACK |
| 16 | WHITE/BLACK |

THIS PRODUCT CONTAINS PROPRIETARY INFORMATION OF OCP GROUP, INC. AND IS SUBJECT TO THE CONDITIONS THAT THE INFORMATION: (A) BE RETAINED IN CONFIDENCE. (B) NOT BE REPRODUCED OR COPIED IN WHOLE OR IN PART. (C) NOT BE USED INCORPORATED IN ANY PRODUCT EXCEPT ON AN EXPRESS WRITTEN AGREEMENT WITH OCP GROUP, INC.

REVISIONS

| DATE | REV | AREA | DESCRIPTION | APP'D |
|-------|-----|------|-----------------|-------|
| 08/08 | A | - | INITIAL RELEASE | CJG |

FRONT VIEW



| 6 | | |
|------|--------------------------------------|-----|
| 5 | | |
| 4 | | |
| 3 | | |
| 2 | OBD 16PIN FEMALE PLUG, SOLDER TYPE | 1 |
| 1 | UL2464, 16C, 24AWG, BLACK PVC JACKET | 1 |
| ITEM | DESCRIPTION/REMARKS | QTY |

| | |
|----------------------------|--------|
| UNLESS OTHERWISE SPECIFIED | |
| CABLE TOLERANCE | |
| LENGTH +/- 3% | |
| CONNECTOR TOLERANCE | |
| .XXX± | LINEAR |
| .XX± | LINEAR |



SCALE: FREE DATE: 08/28/2008
 UNITS: INCH CHK'D: CJG
 DRAWN BY: LAO APP'D: MJC

| | | | |
|------------------------------|-----------------|-----|-------|
| TITLE: | | | |
| OBDII Female 8' to blunt cut | | | |
| OCP PART NO.: 11760-03-301 | | | |
| CUSTOMER: OBD | | | |
| SIZE | DRAWING NUMBER: | REV | SHEET |
| A | 11760-03-301 | A | 1/1 |

4

3

2

1