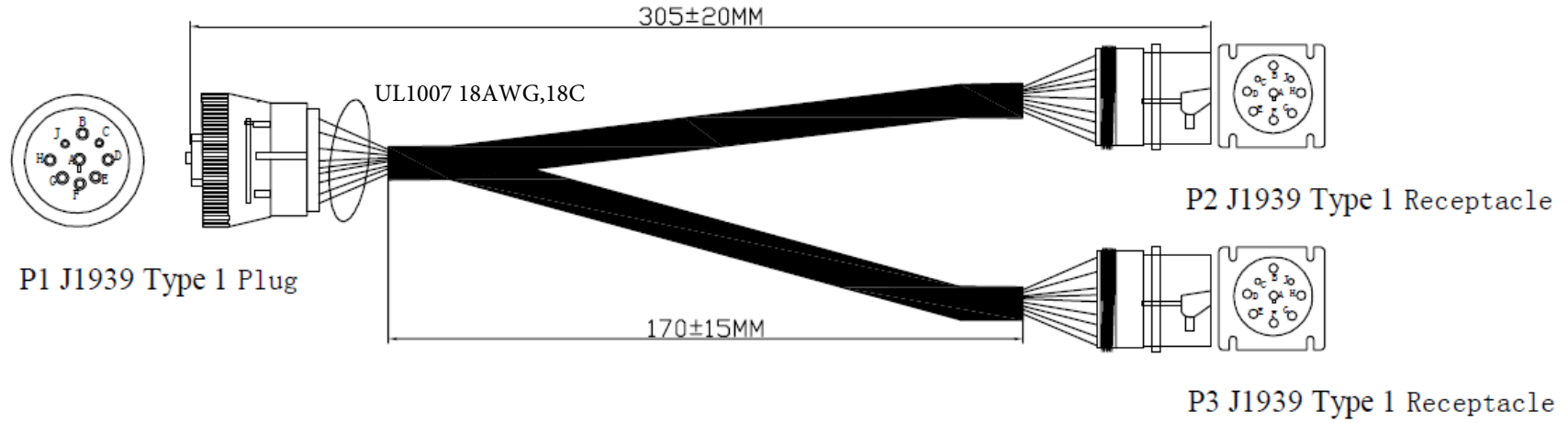


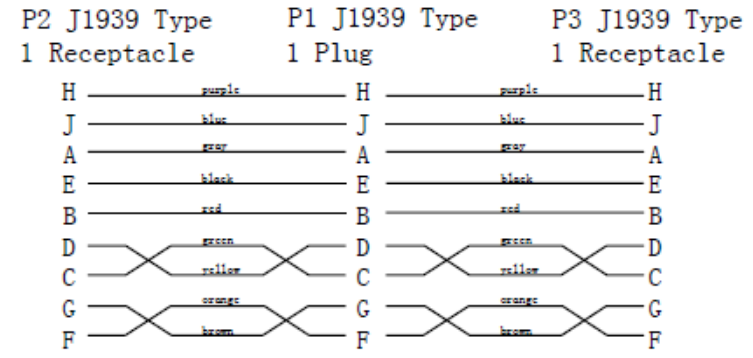
REVISIONS		
Rev.	DESCRIPTION	DATE
A	INITIAL RELEASE	10/26/2016



TESTING

1. Any Open, Short Miswiring & Intermittent are not permitted.
2. Contact Resistance: 5 Ω.
3. Insulation Resistance: 5MΩ/300V DC MIN.
4. This product is RoHS compliant.

PIN ASSIGNMENT



<small>UNLESS OTHERWISE SPECIFIED: DIMENSIONS ARE IN MILLIMETERS [INCH] TOLERANCE ARE: X ±0.5 ANGULAR ±0.5° XX ±0.20 XXX ±0.1000</small>	DRAWN BY: Joe Perez	
	CHECKED BY:	
APPROVED BY: O. Acuña	TITLE: J1939 TYPE I TO 2 X TYPE I Y SPLITTER CABLE	
PROPRIETARY AND CONFIDENTIAL <small>THE INFORMATION CONTAINED IN THIS DRAWING IS THE SOLE PROPERTY OF OCP GROUP INC. PARTIAL OR TOTAL REPRODUCTION WITHOUT THE WRITTEN PERMISSION OF OCP GROUP INC IS PROHIBITED.</small>	OC P/N: 11760-03-308	
	DRAWING NO:	REV: A
		UNITS: MM
	SIZE: A4	SHEET 1 OF 1