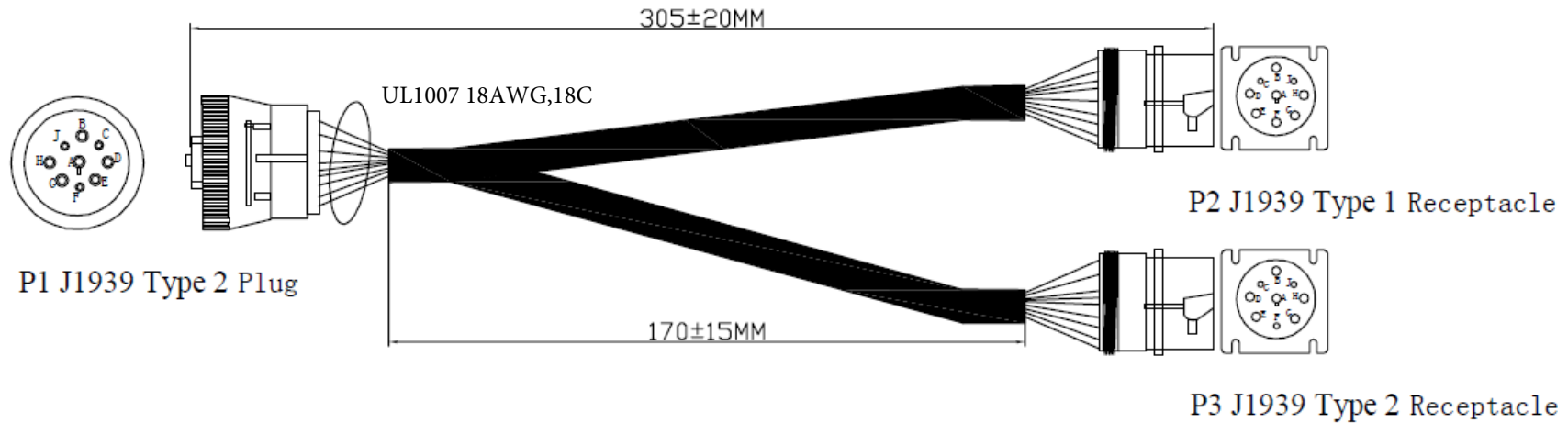


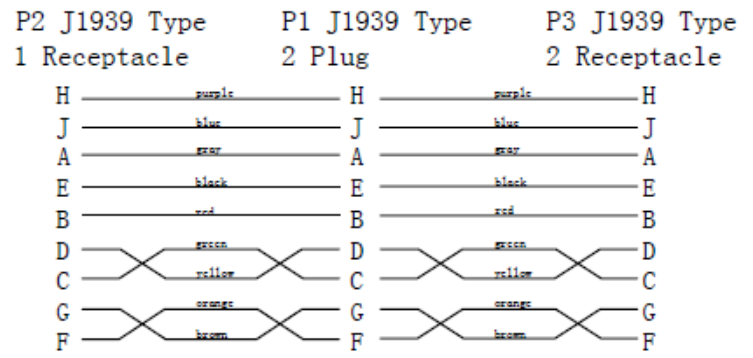
REVISIONS		
Rev.	DESCRIPTION	DATE
A	INITIAL RELEASE	10/26/2016



**TESTING**

1. Any Open, Short Miswiring & Intermittent are not permitted.
2. Contact Resistance: 5 Ω.
3. Insulation Resistance: 5MΩ/300V DC MIN.
4. This product is RoHS compliant.

**PIN ASSIGNMENT**



<small>UNLESS OTHERWISE SPECIFIED: DIMENSIONS ARE IN MILLIMETERS [INCH] TOLERANCE ARE:  X ±0.5 ANGULAR ±0.5° XX ±0.20 XXX ±0.1000</small>	<b>DRAWN BY:</b> Joe Perez	
	<b>CHECKED BY:</b>	
<b>APPROVED BY:</b> O. Acuña	<b>TITLE:</b> J1939 TYPE II TO TYPE II + TYPE I Y SPLITTER CABLE	
<b>PROPRIETARY AND CONFIDENTIAL</b>  <small>THE INFORMATION CONTAINED IN THIS DRAWING IS THE SOLE PROPERTY OF OCP GROUP INC. PARTIAL OR TOTAL REPRODUCTION WITHOUT THE WRITTEN PERMISSION OF OCP GROUP INC IS PROHIBITED.</small>	<b>OC P/N:</b> 11760-03-309	
	<b>DRAWING NO:</b>	<b>REV:</b> A
		<b>UNITS:</b> MM
	<b>SIZE:</b> A4	<b>SHEET 1 OF 1</b>