

4

3

2

1

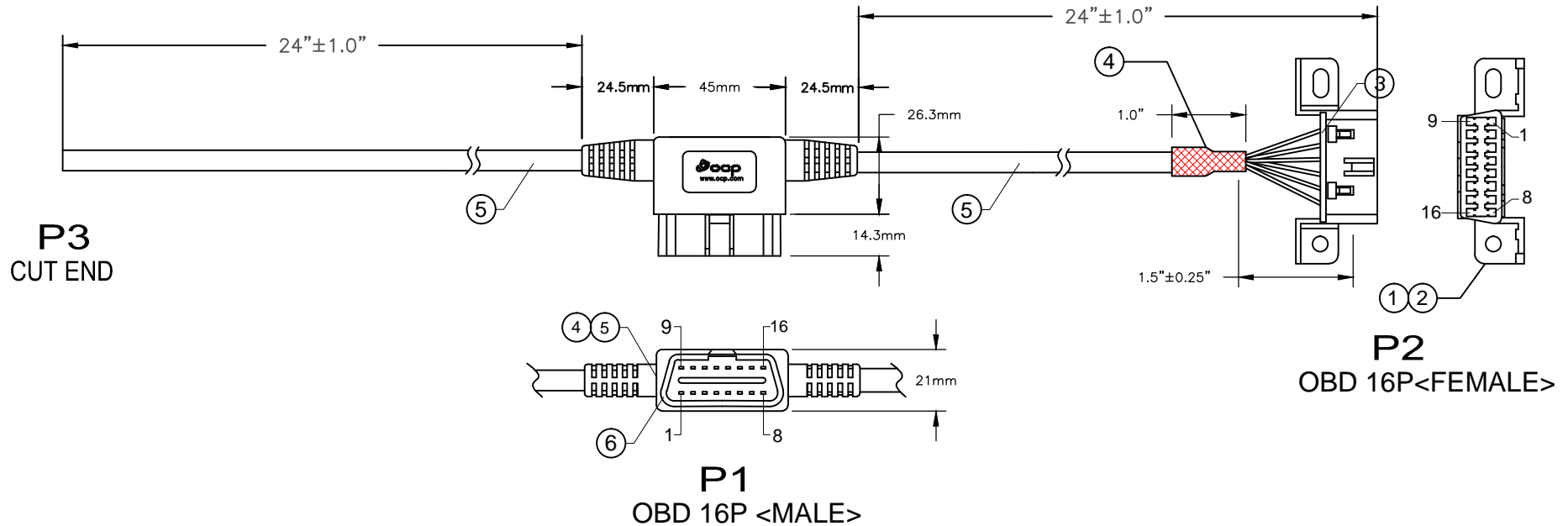
THIS PRODUCT CONTAINS PROPRIETARY INFORMATION OF OCP GROUP, INC. AND IS SUBJECT TO THE CONDITIONS THAT THE INFORMATION: (A) BE RETAINED IN CONFIDENCE. (B) NOT BE REPRODUCED OR COPIED IN WHOLE OR IN PART. (C) NOT BE USED INCORPORATED IN ANY PRODUCT EXCEPT ON AN EXPRESS WRITTEN AGREEMENT WITH OCP GROUP, INC.

REVISIONS

| REV | ECN | AREA | DESCRIPTION | APP'D |
|-----|-----|------|-----------------|-------|
| A | - | - | INITIAL RELEASE | CJG |

WIRING SCHEMATIC

| P3 | P1 | P2 |
|-----------|----|----|
| BLACK | 1 | 1 |
| BROWN | 2 | 2 |
| RED | 3 | 3 |
| ORANGE | 4 | 4 |
| YELLOW | 5 | 5 |
| GREEN | 6 | 6 |
| BLUE | 7 | 7 |
| PURPLE | 8 | 8 |
| GRAY | 9 | 9 |
| WHITE | 10 | 10 |
| PINK | 11 | 11 |
| LIGHT GRN | 12 | 12 |
| LIGHT BLU | 13 | 13 |
| RED/BLK | 14 | 14 |
| YLW/BLK | 15 | 15 |
| WHT/BLK | 16 | 16 |



| | | |
|---|--|----|
| 6 | OBD 16P MALE PLUG SLIDER TYPE | 1 |
| 5 | UL2464, 24AWG, 16C, CABLE BLACK PVC JACKET, NO BRAND OR IDENTIFICATION WILL BE SHOWN ON THE CABLE. | 1 |
| 4 | BLACK HEATSHRINK | 1 |
| 3 | TAB, BLUE COLOR | 1 |
| 2 | FEMALE TERMINAL | 16 |
| 1 | OBD 16P FEMALE HOUSING, BLACK COLOR SCREW-IN TYPE | 1 |

| ITEM | DESCRIPTION/REMARKS | QTY |
|------|---------------------|-----|
|------|---------------------|-----|

UNLESS OTHERWISE SPECIFIED
CABLE TOLERANCE

LENGTH +/- 3%

CONNECTOR TOLERANCE

.XXX± LINEAR
.XX± LINEAR



SCALE: NTS DATE: 12/28/10
UNITS: INCH CHK'D: CJG
DRAWN BY: DLG APP'D: CJG

TITLE:

OBDII Passthrough to blunt cut 16c

OCP PART NO.: 11760-03-316

CUSTOMER: OCP Aftermarket product

| SIZE | DRAWING NUMBER: | REV | SHEET |
|------|-----------------|-----|-------|
| A | 11760-03-316 | A | 1/1 |

4

3

2

1