

4

3

2

1

WIRING SCHEMATIC

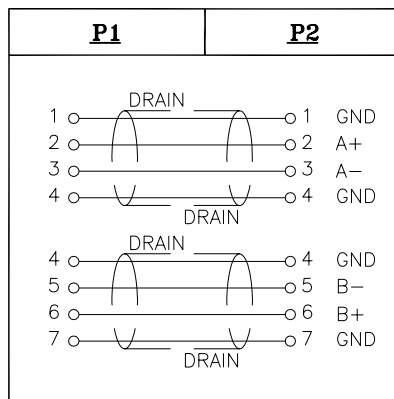


TABLE A

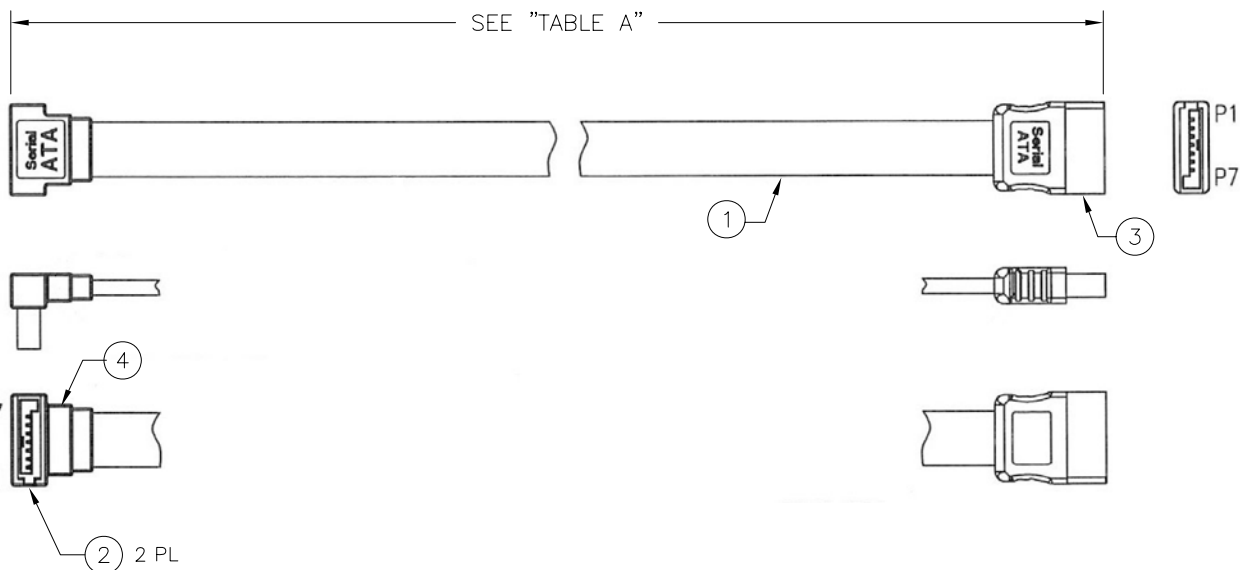
PART NO.	LENGTH
14-10060-001	12"±0.25"
14-10060-002	18"±0.25"
14-10060-003	28"±0.25"



THIS PRODUCT CONTAINS PROPRIETARY INFORMATION OF OCP GROUP, INC. AND IS SUBJECT TO THE CONDITIONS THAT THE INFORMATION: (A) BE RETAINED IN CONFIDENCE. (B) NOT BE REPRODUCED OR COPIED IN WHOLE OR IN PART. (C) NOT BE USED INCORPORATED IN ANY PRODUCT EXCEPT ON AN EXPRESS WRITTEN AGREEMENT WITH OCP GROUP, INC.

REVISIONS

DATE	REV	ECN	DESCRIPTION	APP'D
-	A	-	INITIAL RELEASE	OA



NOTES:

- 1 CUSTOM LENGTHS AVAILABLE ON REQUEST.
2. COMPLIANT WITH SERIAL ATA SPEC. REVISION 1.0
3. ELECTRICAL PERFORMANCE
- 3.1 IMPEDANCE: 100 OHMS (DIFFERENTIAL MODE)
- 3.2 INSERTION LOSS: 6dB MAX. BETWEEN 10 AND 4500 MHz
- 3.3 CROSSTALK (NEXT) : -26dB MAX. BETWEEN 10 AND 4500MHZ
- 3.4 PROPAGATION DELAY SKEW: 10 pS MAX.
- 3.5 RISE TIME: 85 pS MAX.
4. ELECTRICAL TEST
- 4.1 100% OPEN, SHORT TEST
- 4.2 INSULATION RESISTANCE: 1 MEGAOHM MIN.
5. PRODUCT COMPLIES WITH RoHS ENVIRONMENTAL STANDARDS.

ITEM	DESCRIPTION/REMARKS	QTY	UNLESS OTHERWISE SPECIFIED
7			CABLE TOLERANCE
6			UP TO 12" [304.8] .5" [12.7]
5			ABOVE 12" [304.8] .75" [19.05]
4	HOOD, ABS OR MOLDED RIGHT ANGLE	1	ABOVE 24" [609.6] 5%
3	HOOD, ABS OR MOLDED STRAIGHT	1	ANGLES = ±1/2 DEGREE
2	SERIAL ATA 7 POS, FEMALE CONNECTOR, GOLD PLATED	2	CONNECTOR TOLERANCE
1	UL, SERIAL ATA CABLE, 26AWG *2PR	A/R	.XXX± LINEAR
			.XX± LINEAR



OCP
SAN DIEGO, CA USA

TITLE: CBL, SATA, RT ANGLE
(LEFT POLARIZATION) -
STRAIGHT,
LOW PROFILE

OCP PART NO.: SEE "TABLE A"

CUSTOMER: TBD

SCALE: NTS DATE: 10/19/06
UNITS: INCH CHK'D: NP
DRAWN BY: OA APP'D: NP

SIZE	DRAWING NUMBER:	REV	SHEET
A	14-10060-XXX	A	1/1

4

3

2

1