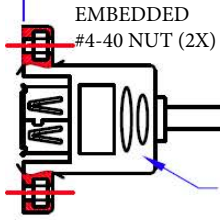
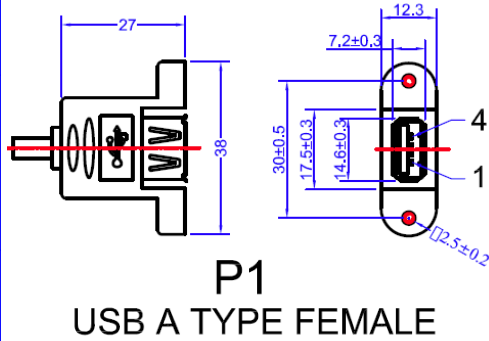




REVISIONS		
Rev.	DESCRIPTION	DATE
A	NEW DWG FRAME RELEASE	10/21/2019

OCP P/N	LENGTH
62-00189-01	1 FT ± 0.5 IN
62-00189-02	2 FT ± 1.0 IN
62-00189-03	3 FT ± 1.0 IN



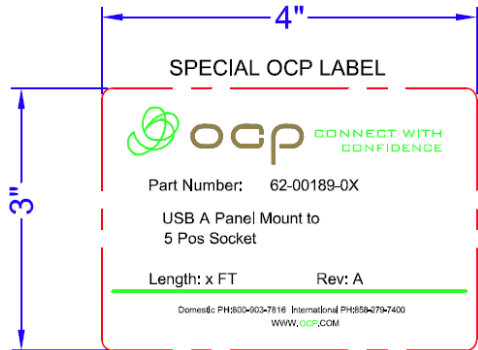
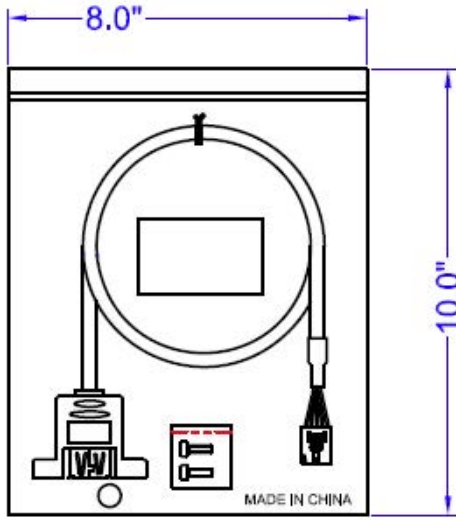
EMBEDDED #4-40 NUT (2X)

BULK CABLE: UL2725,28AWG*1P+24AWG*2C,AL
\FOIL AND BRAID SHIELDING,JACKET PVC BLACK

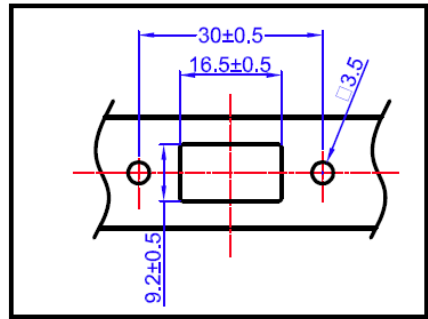
THE COPPER FOIL WILL BE 100% WRAPPED AROUND THE INNER MOLD AND WILL BE SOLDERED TO BOTH THE SHIELDING OF THE USB CABLE AND THE CONTACT SHELL OF THE FEMALE USB'S.

Heat shrink tubing black

⑤⑥



RECOMMENDED PANEL CUTOUT



WIRE LIST

USB A F	AMP-5P
1 — 24AWG RED	1
2 — 28AWG WHITE	2
3 — 28AWG GREEN	3
4 — 24AWG BLACK	4
SHELL — DRAIN WIRE	5

UNLESS OTHERWISE SPECIFIED: DIMENSIONS ARE IN MILLIMETERS [INCH] TOLERANCE ARE: X ±0.5 ANGULAR ±0.5° XX ±0.20 XXX ±0.1000	DRAWN BY: Joe Perez	
	CHECKED BY:	
APPROVED BY: O. Acuña	TITLE: USB A PANEL MOUNT TO 5POS SOCKET	
PROPRIETARY AND CONFIDENTIAL	OCP P/N: 62-00189-XX	
THE INFORMATION CONTAINED IN THIS DRAWING IS THE SOLE PROPERTY OF OCP GROUP INC. PARTIAL OR TOTAL REPRODUCTION WITHOUT THE WRITTEN PERMISSION OF OCP GROUP INC IS PROHIBITED.	DRAWING NO:	REV: A
UNITS: MM	SCALE: FREE	SIZE: A4
		SHEET 1 OF 1