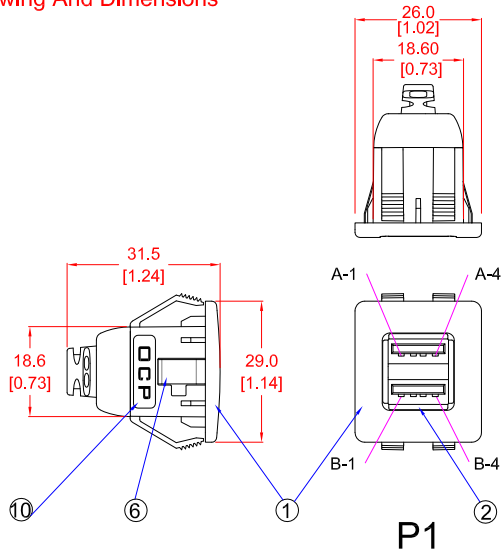


Drawing And Dimensions



**Recommended Panel Cut Out Size
(Panel Thickness : 0.5mm~3mm)**

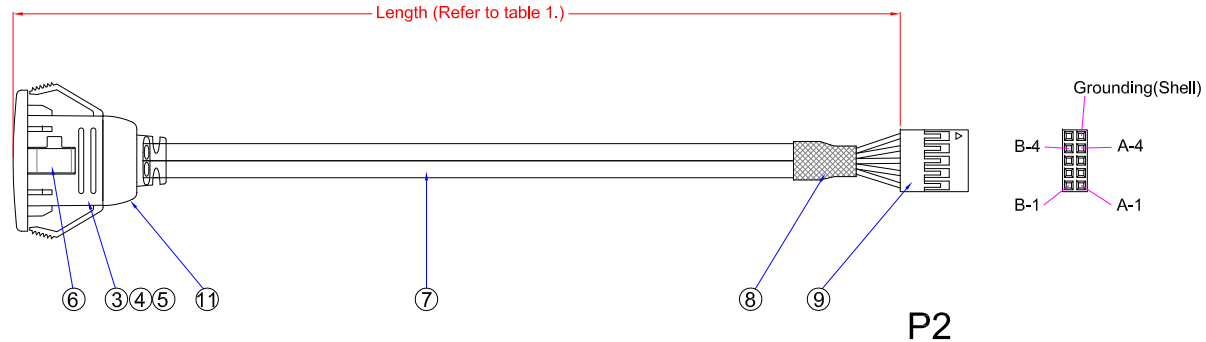
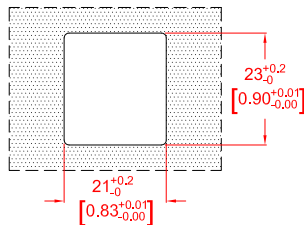


Table 1.

No.	OCP P/N	Length		
1	62-00201-01	1 Ft	305 mm±10	12 inch±0.4
2	62-00201-02	2 FT	610 mm±20	24 inch±0.8
3	62-00201-03	3 FT	915 mm±30	36 inch±1.2
4	62-00201-04	4 FT	1220 mm±40	48 inch±1.6
5	62-00201-06	6 FT	1830 mm±50	72 inch±2.0

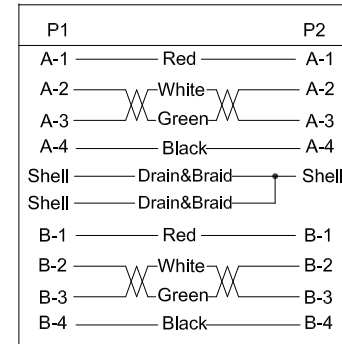
ELECTRICAL CHARACTERISTICS:

- Contact resistance: <2Ω.
- Insulation resistance: 300V/DC, 50MΩ.
- High pot test: 500V AC, 2mA/0.1Sec.

Note:

- This is compatible products RoHS.

Wiring Diagram:



REVISIONS

Rev.	DESCRIPTION	DATE
A	Initial Release	21 May, 2014
A	Revised Cable OD, High Pot Test Data And Length Tolerance	28 Mar, 2016
A	Revised BOM #6 and #11, High Pot Test to 500V AC	28 Jun, 2016
A	Revised BOM #10	15 Aug, 2016

Bill Of Materials:

①	Bushing, Material: PVC, Color:Black.	3g.
⑩	Label, OCP.	1pc.
⑨	10 Pins Female Housing(with female terminal), Pitch:2.54mm, Color:Black.	1set.
⑧	Heat Shrink Tube, Length:20mm, Color:Black.	1pc.
⑦	USB 2.0 Cable:UL 2725 28AWG*1P(Green&White) + 24AWG *2C (Red&Black)+AEB, Jacket:PVC, OD:3.8mm, Color: Black,Length:Refer to table 1.	2pcs.
⑥	Grounding Contact Plate, Material:Stainless Steel, Nickel Plating.	2pcs.
⑤	PCB Holder, Material:ABS.	3g.
④	PCB, Material:FR-4, Thickness:0.6mm.	1pc.
③	Enclosure, Material:Nylon, Color:Black.	50g.
②	Dual USB A Female, Solder Type, Contact:Gold-Plate.	1pc.
①	Detachable Panel, Material:ABS, Color:Black.	5g.
Item	Description	Quantity

UNLESS OTHERWISE SPECIFIED
DIMENSIONS ARE IN MILLIMETERS (INCHES)

TOLERANCES ARE:

X	±0.5	XX	±0.20	XXX	±0.100	INCHES	±0.02	±0.008	±0.0040
						ANGULAR	±0.5°		

DRAWN BY: Allan Xue
CHECKED BY: Zoism Zuo
APPROVED BY: Jay Chow

PROPRIETARY AND CONFIDENTIAL
THE INFORMATION CONTAINED IN THIS DRAWING IS THE SOLE PROPERTY OF OCP CHINA. PARTIAL OR TOTAL REPRODUCTION WITHOUT THE WRITTEN PERMISSION OF OCP CHINA IS PROHIBITED

CONNECT WITH CONFIDENCE

ocp China

OCP CHINA P/N: Refer to table 1.
OCP P/N: Refer to table 1.
CUSTOMER P/N: -
CUSTOMER REVLEVEL: -
CUSTOMER NAME: -

TITLE: "SNAP IN" Dual USB Connector 10 Pins Socket
PROJECT NO.: -
DRAWING NO.: -
REV: A

DO NOT SCALE DRAWING
SCALE: Free
SIZE: A4
SHEET 1 OF 1