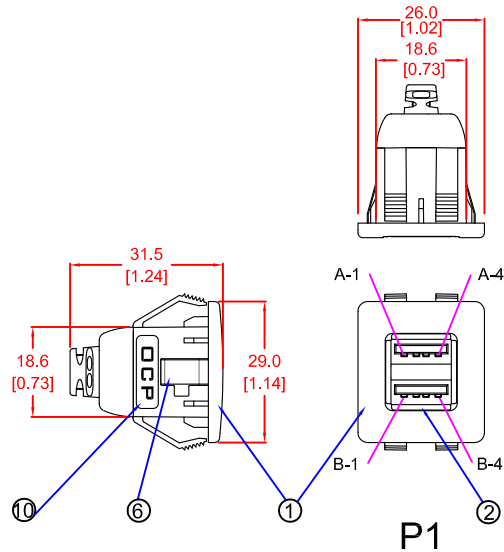
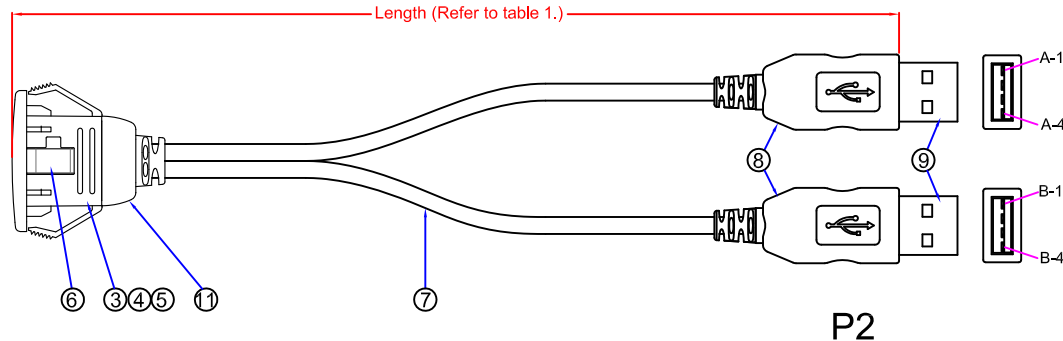
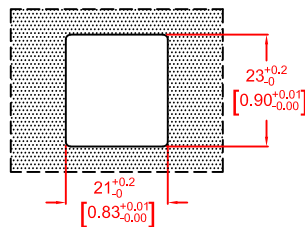


Drawing And Dimensions



**Recommended Panel Cut Out Size
(Panel Thickness : 0.5mm~3mm)**



P2

Wiring Diagram:

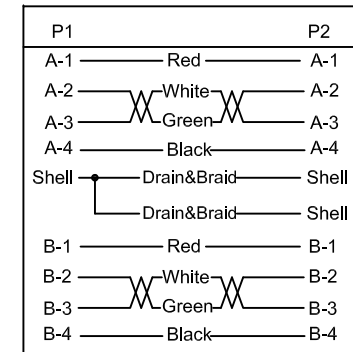


Table 1.

No.	OCP P/N	Length		
1	62-00202-01	1FT	305 mm±10	12 inch±0.4
2	62-00202-02	2FT	610 mm±20	24 inch±0.8
3	62-00202-03	3FT	915 mm±30	36 inch±1.2
4	62-00202-04	4FT	1220 mm±40	48 inch±1.6
5	62-00202-06	6FT	1830 mm±50	72 inch±2.0

ELECTRICAL CHARACTERISTICS:

- Contact resistance: <2Ω.
- Insulation resistance: 300V/DC, 50MΩ.
- High pot test: 500V AC, 2mA/0.1Sec.

Note:

- This is compatible products RoHS.

Bill Of Materials:

①	Bushing, Material: PVC, Color:Black.	3g.	⚠
⑩	Label, OCP.	1pc.	⚠
⑨	USB A Male, Solder Type, Contact:Gold-Plate.	2pcs.	
⑧	Overmold, Material:PVC, Color:Black.	10g.	
⑦	USB 2.0 Cable:UL 2725 28AWG*1P(Green&White) + 24AWG *2C (Red&Black)+AEB, Jacket:PVC, OD:3.8mm, Color: Black,Length:Refer to table 1.	2pcs.	⚠
⑥	Grounding Contact Plate, Material:Stainless Steel, Nickel Plating.	2pcs.	⚠
⑤	PCB Holder, Material:ABS.	3g.	
④	PCB, Material:FR-4, Thickness:0.6mm.	1pc.	
③	Enclosure, Material:Nylon, Color:Black.	10g.	
②	Dual USB A Female, Solder Type, Contact:Gold-Plate.	1pc.	
①	Detachable Panel, Material:ABS, Color:Black.	5g.	
Item	Description	Quantity	

REVISIONS		
Rev.	DESCRIPTION	DATE
A	Initial Release	17 Jan, 2014
B	Revised customer P/N & label	25 Apr, 2014
C	Revised Cable and High Pot Test Data	28 Mar, 2016
D	Revised BOM #6 and #11, High Pot Test to 500V AC	28 Jun, 2016

UNLESS OTHERWISE SPECIFIED DIMENSIONS ARE IN MILLIMETERS (INCHES)	DRAWN BY KK So		CONNECT WITH CONFIDENCE	
	CHECKED BY Zoism Zuo		OCP CHINA P/N: Refer to table 1.	TITLE: "SNAP IN" Dual USB A Connector
TOLERANCES ARE:	APPROVED BY	OCP P/N: Refer to table 1.	CUSTOMER REVLEVEL: A	PROJECT NO.:
MILLIMETERS: X ±0.5, XX ±0.20, XXX ±0.100 INCHES: .XX ±0.02, .XXX ±0.008, .XXXX ±0.0040 ANGULAR ±0.5°	PROPRIETARY AND CONFIDENTIAL THE INFORMATION CONTAINED IN THIS DRAWING IS THE SOLE PROPERTY OF OCP CHINA. PARTIAL OR TOTAL REPRODUCTION WITHOUT THE WRITTEN PERMISSION OF OCP CHINA IS PROHIBITED.	CUSTOMER P/N: -	CUSTOMER NAME: -	DRAWING NO.: JT1312012-06
		DO NOT SCALE DRAWING		SCALE Free SIZE A4 SHEET 1 OF 1