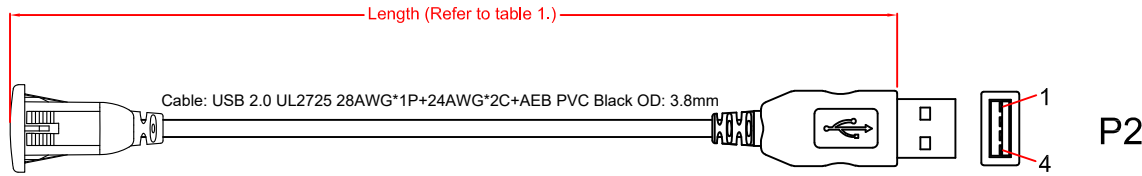
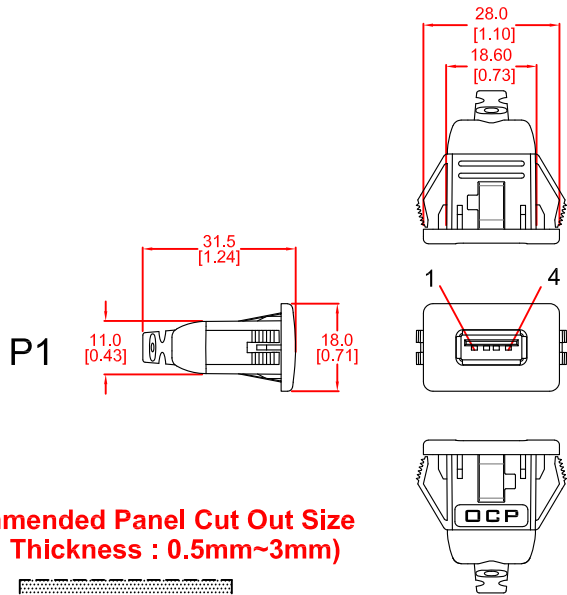


Drawing And Dimensions

REVISIONS		
Rev.	DESCRIPTION	DATE
A	Initial Release	17 Jan, 2014



Recommended Panel Cut Out Size
(Panel Thickness : 0.5mm~3mm)

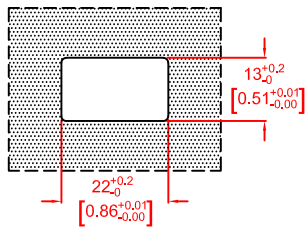
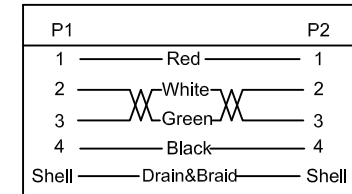


Table 1.

No.	OCP P/N	Length	
1	62-00203-01	1 FT	305 mm±10 12 inch±0.4
2	62-00203-02	2 FT	610 mm±20 24 inch±0.8
3	62-00203-03	3 FT	915 mm±30 36 inch±1.2
4	62-00203-04	4 FT	1220 mm±40 48 inch±1.6
5	62-00203-06	6 FT	1830 mm±50 72 inch±2.0

Wiring Diagram:



ELECTRICAL CHARACTERISTICS:

- Contact resistance: <math><2\Omega</math>.
- Insulation resistance: 300V/DC, 50M Ω .
- High pot test: 500V AC, 2mA/0.1Sec.

Note:

- This is compatible products RoHS.

UNLESS OTHERWISE SPECIFIED DIMENSIONS ARE IN MILLIMETERS [INCHES]	DRAWN BY KK So		CONNECT WITH CONFIDENCE	
	CHECKED BY Zoism Zuo		OCP CHINA P/N: Refer to table 1.	TITLE: "SNAP IN" Single USB 2.0 A Connector
TOLERANCES ARE: MILLIMETERS INCHES X ±0.5 .XX ±0.02 XX ±0.20 .XXX ±0.008 XXX ±0.100 .XXXX ±0.0040 ANGULAR ±0.5°	APPROVED BY	OCP P/N: Refer to table 1.	CUSTOMER P/N: -	PROJECT NO:
PROPRIETARY AND CONFIDENTIAL THE INFORMATION CONTAINED IN THIS DRAWING IS THE SOLE PROPERTY OF OCP CHINA. PARTIAL OR TOTAL REPRODUCTION WITHOUT THE WRITTEN PERMISSION OF OCP CHINA IS PROHIBITED		CUSTOMER REV.LEVEL: -	CUSTOMER NAME: -	DRAWING NO: JT1312013-06 REV: A
		DO NOT SCALE DRAWING	SCALE Free SIZE A4	SHEET 1 OF 1