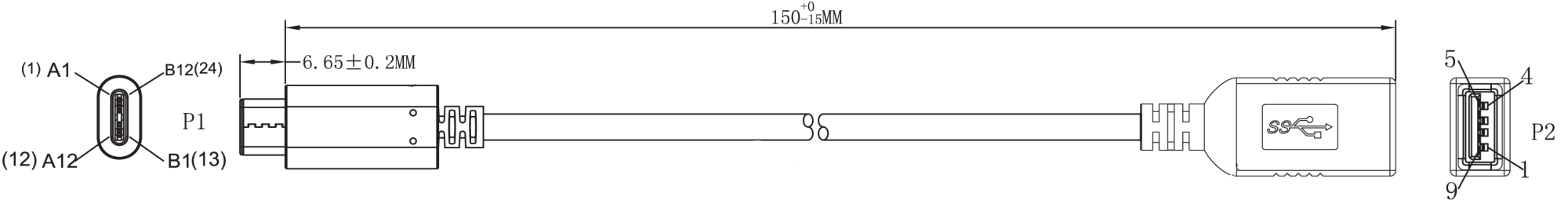
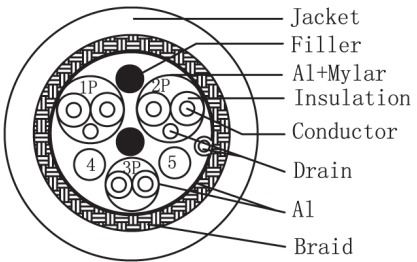
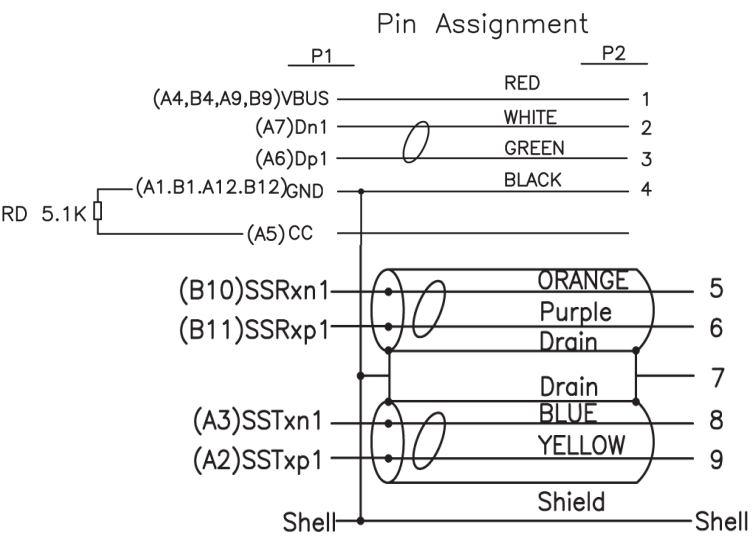


REVISIONS		
Rev.	DESCRIPTION	DATE
A	INITIAL RELEASE	3-3-16



- Electrical Test:**
- 100% Test (Open, short, miss wire)
 - Contact Resistance: 2 ohm max.
 - Insulation Resistance: 10M ohm Min.
 - Hi-Pot: 300VDC/10ms.



<small>UNLESS OTHERWISE SPECIFIED: DIMENSIONS ARE IN MILLIMETERS [INCH] TOLERANCE ARE: X ±0.5 ANGULAR ±0.5° XX ±0.20 XXX ±0.1000</small>	DRAWN BY: Joe Perez	
	CHECKED BY: Omar Acuña	
	APPROVED BY: Omar Acuña	
PROPRIETARY AND CONFIDENTIAL <small>THE INFORMATION CONTAINED IN THIS DRAWING IS THE SOLE PROPERTY OF OCP GROUP INC. ANY REPRODUCTION IN PART OF AS WHOLE WITHOUT THE WRITTEN PERMISSION OF OCP GROUP INC IS PROHIBITED.</small>		TITLE: USB 3.1 ADAPTER CABLE CM TO AF 150MM, GEN1 5G, BLACK
		OCP P/N: 62-00207
		DRAWING NO: REV: A
	UNITS: MM	SCALE: FREE
	SIZE: A4	SHEET 1 OF 1