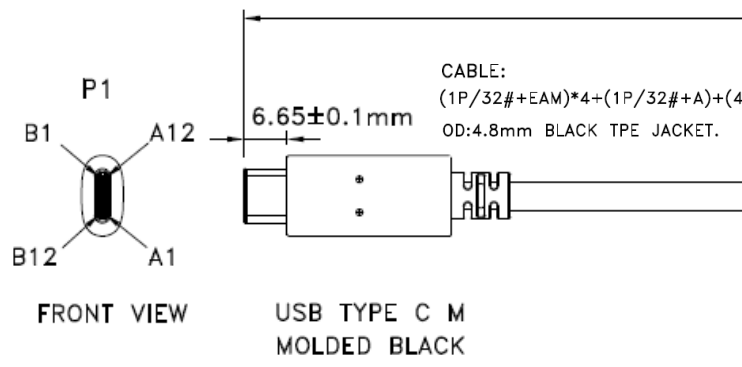
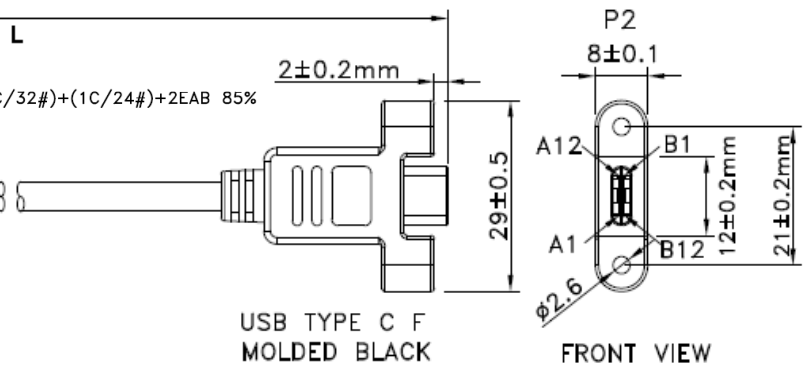


8 7 6 5 4 3 2 1  
 P/N: 62-00210-01(1'+/-1.25") 62-00210-03(3'+/-1.25") 62-00210-06(6'+/-2")

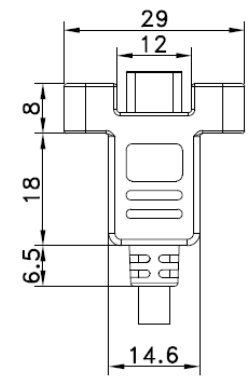
REVISIONS		
Rev.	DESCRIPTION	DATE
A	INITIAL RELEASE	06-06-2017



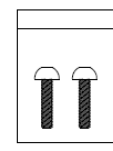
USB TYPE C MALE SOLDER TYPE,PCB WIHTOUT IC,  
 PINS: 30u GOLD PLATED OVER NICKEL.  
 INSULATOR: BLACK THERMOPLASTIC UL 94V-0.  
 SHELL: STEEL WITH GOLD FLASH.  
 MOLDED: BLACK PVC 45P.



USB TYPE C FEMALE SOLDER TYPE,PCB WIHTOUT IC,  
 PINS: 30u GOLD PLATED OVER NICKEL.  
 INSULATOR: BLACK COLOR LCP 94V-0 RATED.  
 SHELL: STEEL WITH GOLD FLASH.  
 NUT:4.75\*6MM #4-40UNC,  
 MOLDED: BLACK PVC 45P.



SCREW: 5.0\*11mm.



2PCS

PIN OUT		
P1		P2
A4,B4,A9,B9	RED(24AWG)	A4,B4,A9,B9
A1,B1,A12,B12	DRAIN*2	A1,B1,A12,B12
A5	BLUE(32AWG)	A5
B5	YELLOW(32AWG)	B5
A6	GREEN	A6,B6
A7	WHITE	A7,B7
A2	YELLOW(REDF MYLAR)	A2
A3	BLUE(REDF MYLAR)	A3
A1,B1,A12,B12	DRAIN	A1,B1,A12,B12
B11	YELLOW(GREEN MYLAR)	B11
B10	BLUE(GREEN MYLAR)	B10
A1,B1,A12,B12	DRAIN	A1,B1,A12,B12
B2	YELLOW(YELLOW MYLAR)	B2
B3	BLUE(YELLOW MYLAR)	B3
A1,B1,A12,B12	DRAIN	A1,B1,A12,B12
A11	YELLOW(LUCENCY MYLAR)	A11
A10	BLUE(LUCENCY MYLAR)	A10
A1,B1,A12,B12	DRAIN	A1,B1,A12,B12
A8	RED(32AWG)	A8
B8	BLACK(32AWG)	B8
SHELL	BRAID	SHELL



UNLESS OTHERWISE SPECIFIED: DIMENSIONS ARE IN MILLIMETERS [INCH] TOLERANCE ARE:  X ±0.5 ANGULAR ±0.5° XX ±0.20 XXX ±0.1000	DRAWN BY: J. Perez	
	CHECKED BY:	
APPROVED BY: O. Acuña	TITLE: USB TYPE C SINGLE PANEL MOUNT, FEMALE - MALE, SCREW IN.	
<b>PROPRIETARY AND CONFIDENTIAL</b>  THE INFORMATION CONTAINED IN THIS DRAWING IS THE SOLE PROPERTY OF OCP GROUP INC. PARTIAL OR TOTAL REPRODUCTION WITHOUT THE WRITTEN PERMISSION OF OCP GROUP INC IS PROHIBITED.	OCP P/N: 62-00210-XX	
	DRAWING NO:	REV: A
	UNITS: MM	SCALE: FREE
		SHEET 1 OF 1