

REVISIONS		
Rev.	DESCRIPTION	DATE
A	Initial Release	27 Sep, 2018

Drawing and dimensions

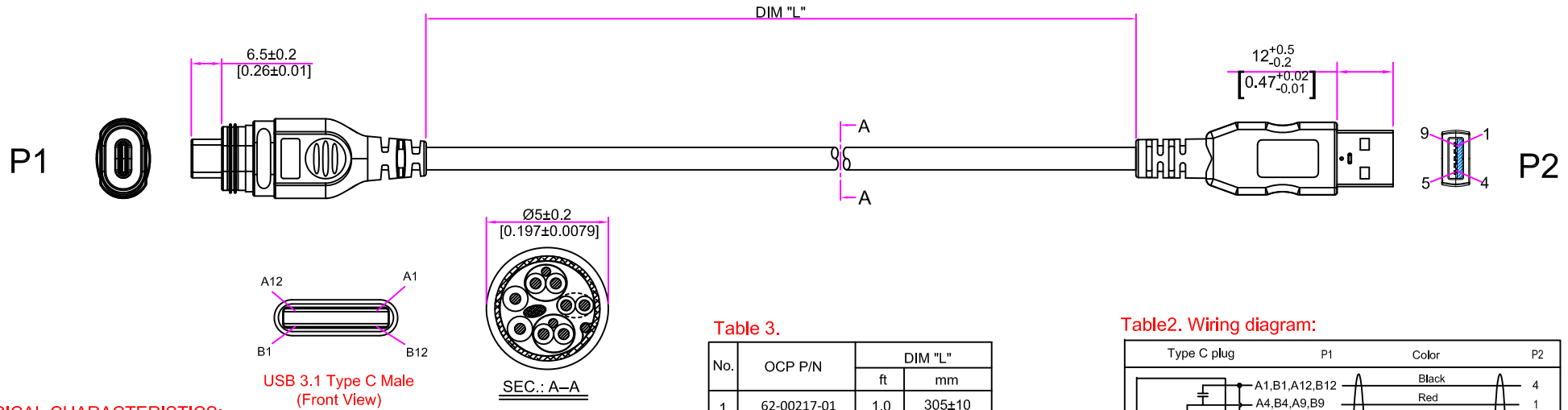
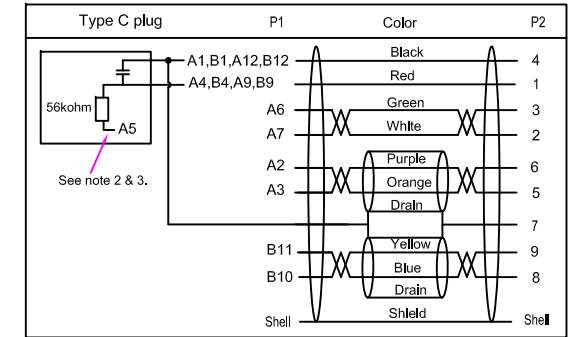


Table 3.

No.	OCP P/N	DIM "L"	
		ft	mm
1	62-00217-01	1.0	305±10
2	62-00217-02	2.0	610±10
3	62-00217-03	3.0	915±20
4	62-00217-04	4.0	1220±20
5	62-00217-06	6.0	1830±30

Table 2. Wiring diagram:



ELECTRICAL CHARACTERISTICS:

- Contact resistance: <math><2 \Omega</math>
- Insulation resistance: 300V/DC, >20M Ω
- High pot test: 100V/AC, 2mA/0.1Sec.
- All cable assemblies to be 100% tested for continuity, short & miswire.

NOTES:

- All the materials used comply to RoHS Directive 2015/863/EU
- Pull-up resistor 56kohm between A5 & A4, B4, A9, B9 (Vbus) inside the Type C connector.
- 10nF capacitor between A4 & A1 inside the type C connector.
- Pinout of Type C connector is reversible.

UNLESS OTHERWISE SPECIFIED	DRAWN BY	Elsa Zhang			CONNECT WITH CONFIDENCE														
DIMENSIONS ARE IN MILLIMETERS (INCHES)	CHECKED BY	Kk So			OCP CHINA P/N:	See table 3													
TOLERANCES ARE:	APPROVED BY	Jay Chow		OCP P/N:	See table 3														
<table border="0"> <tr> <td>X</td> <td>±0.5</td> <td>.XX</td> <td>±0.02</td> </tr> <tr> <td>.XX</td> <td>±0.20</td> <td>.XXX</td> <td>±0.008</td> </tr> <tr> <td>.XXX</td> <td>±0.10</td> <td>.XXXX</td> <td>±0.004</td> </tr> </table>	X	±0.5	.XX	±0.02	.XX	±0.20	.XXX	±0.008	.XXX	±0.10	.XXXX	±0.004	ANGULAR ±0.5°		CUSTOMER P/N:	-		TITLE:	USB3,1 Type C Male PPP Style To USB 3,0 A Male
X	±0.5	.XX	±0.02																
.XX	±0.20	.XXX	±0.008																
.XXX	±0.10	.XXXX	±0.004																
PROPRIETARY AND CONFIDENTIAL				CUSTOMER REV. LEVEL:	-		PROJECT NO.:	PJ1801024											
THE INFORMATION CONTAINED IN THIS DRAWING IS THE SOLE PROPERTY OF OCP CHINA. PARTIAL OR TOTAL REPRODUCTION WITHOUT THE WRITTEN PERMISSION OF OCP CHINA IS PROHIBITED				CUSTOMER NAME:	-		DRAWING NO.:	JT1808016											
				DO NOT SCALE DRAWING		SCALE	Free												
				SIZE	A4		SHEET	1 OF 1											