

REVISIONS		
Rev.	DESCRIPTION	DATE
N/A	NEW DWG FRAME RELEASE	5/9/2022

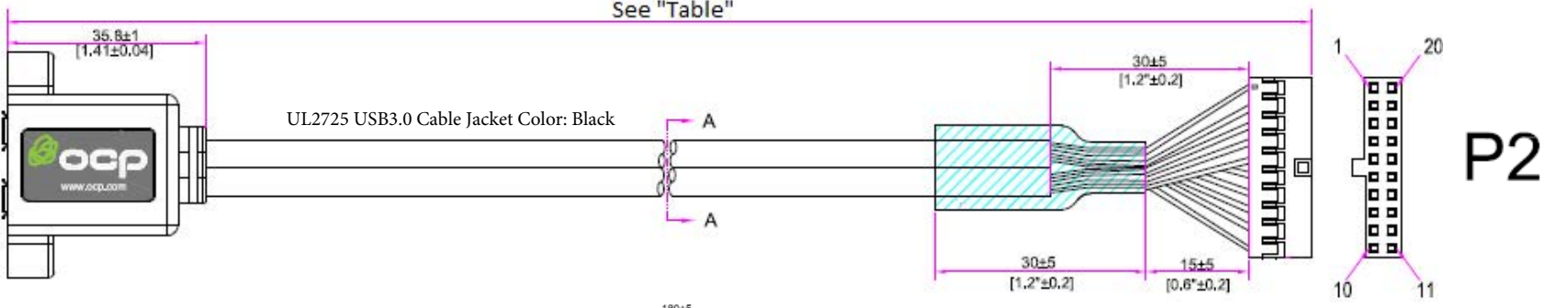
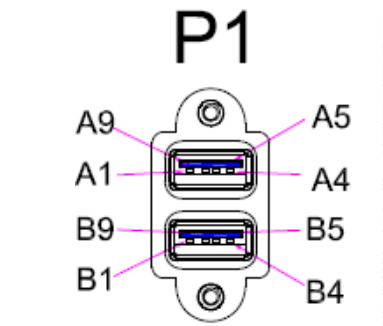


Table 2. Wiring diagram: Rev. A

P1	Color	P2
A1	Red	1
A2	White	8
A3	Green	9
A4	Black	7
A5	Blue	2
A6	Yellow	3
A7	Drain	4
A8	Purple	5
A9	Orange	6
Shield	Shield	Open
Shield	Shield	Open
B1	Red	19
B2	White	12
B3	Green	11
B4	Black	13
B5	Blue	18
B6	Yellow	17
B7	Drain	16
B8	Purple	15
B9	Orange	14
	N,G	10
	Key	20

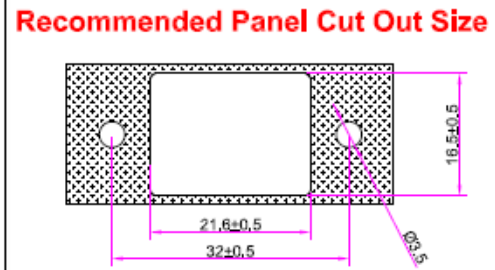
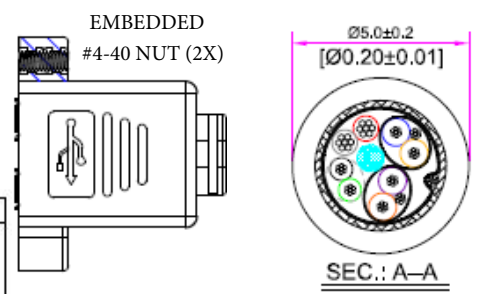
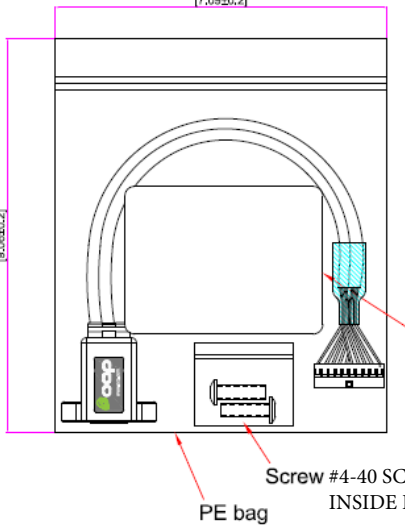


Table			
P/N	MM	IN	Rev
62-00219-01.5	457±25	18±1	B
62-00219-03	915±25	36±1	A



**Label**

CONNECT WITH CONFIDENCE

Part Number: 62-00219-XX

USB3.0 Dual Female Panel  
Mount to 20 pos Socket.

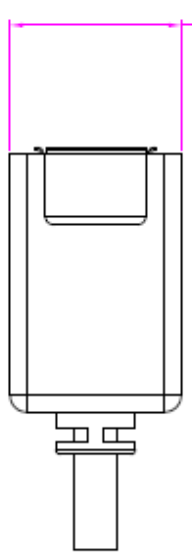
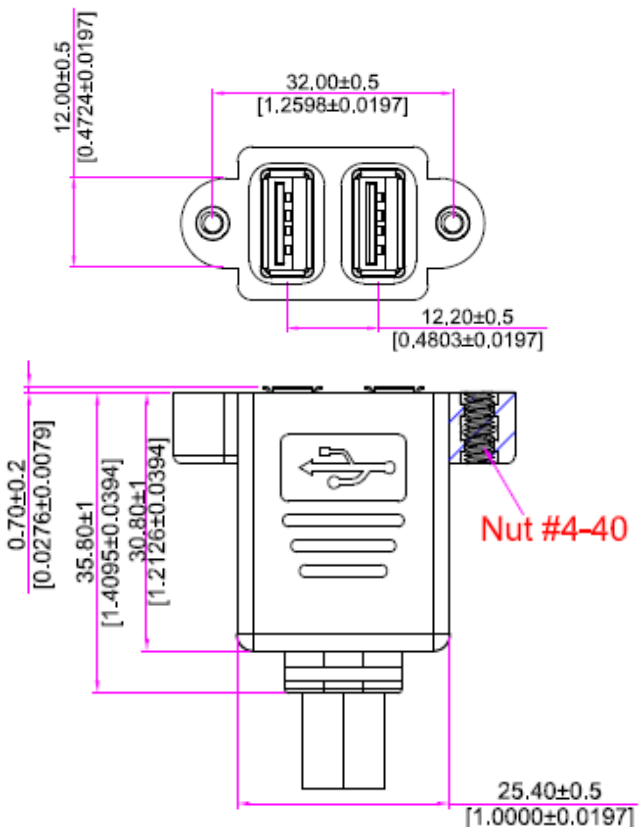
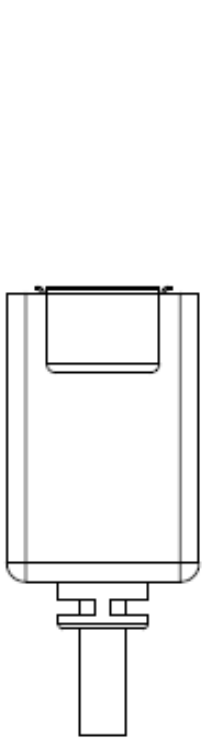
Length XX IN      Rev: X

---

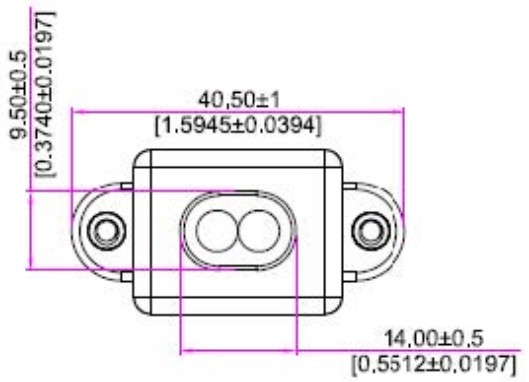
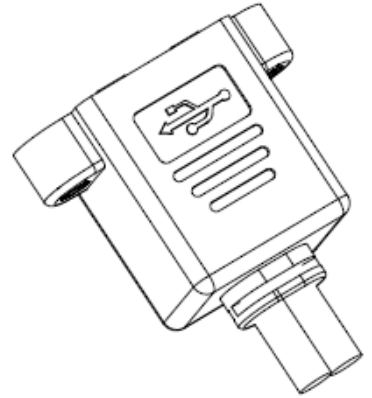
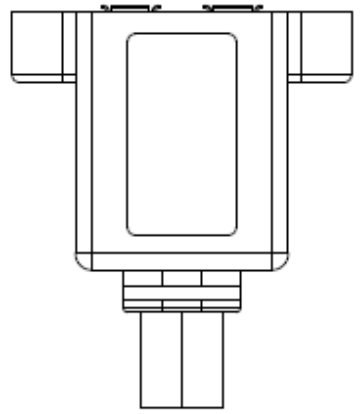
Domestic PH: 800-903-7816 | International PH: 858-279-7400  
www.ocp.com

UNLESS OTHERWISE SPECIFIED: DIMENSIONS ARE IN MILLIMETERS [INCH] TOLERANCE ARE: X ±0.5 ANGULAR ±0.5° XX ±0.20 XXX ±0.1000	DRAWN BY: J. Perez	
	CHECKED BY:	
	APPROVED BY:	
<b>PROPRIETARY AND CONFIDENTIAL</b>		TITLE: DUAL USB A 3.0, PNL MNT, FEMALE-20 POS. SOCKET
THE INFORMATION CONTAINED IN THIS DRAWING IS THE SOLE PROPERTY OF OCP GROUP INC. PARTIAL OR TOTAL REPRODUCTION WITHOUT THE WRITTEN PERMISSION OF OCP GROUP INC IS PROHIBITED.		OCP P/N: 62-00219-01.5
UNITS: MM	SCALE: FREE	SIZE: A4
SHEET 1 OF 1		REV: See "Table"

REVISIONS		
Rev.	DESCRIPTION	DATE
N/A	NEW DWG FRAME RELEASE	5/9/2022



20.40±0.5  
[0.8031±0.0197]



UNLESS OTHERWISE SPECIFIED:  
DIMENSIONS ARE IN MILLIMETERS [INCH]  
TOLERANCE ARE:

X ±0.5 ANGULAR ±0.5°  
XX ±0.20  
XXX ±0.1000

DRAWN BY: J. Perez

CHECKED BY:

APPROVED BY:



TITLE: DUAL USB A 3.0, PNL MNT, FEMALE-20 POS. SOCKET

OCP P/N: 62-00219-01.5

DRAWING NO: REV:

**PROPRIETARY AND CONFIDENTIAL**

THE INFORMATION CONTAINED IN THIS DRAWING IS THE SOLE PROPERTY OF OCP GROUP INC. PARTIAL OR TOTAL REPRODUCTION WITHOUT THE WRITTEN PERMISSION OF OCP GROUP INC IS PROHIBITED.



UNITS: MM

SCALE: FREE

SIZE: A4

SHEET 1 OF 1