

REVISIONS		
Rev.	DESCRIPTION	DATE
A	Initial Release	24 Jun, 2020

Drawing And Dimensions

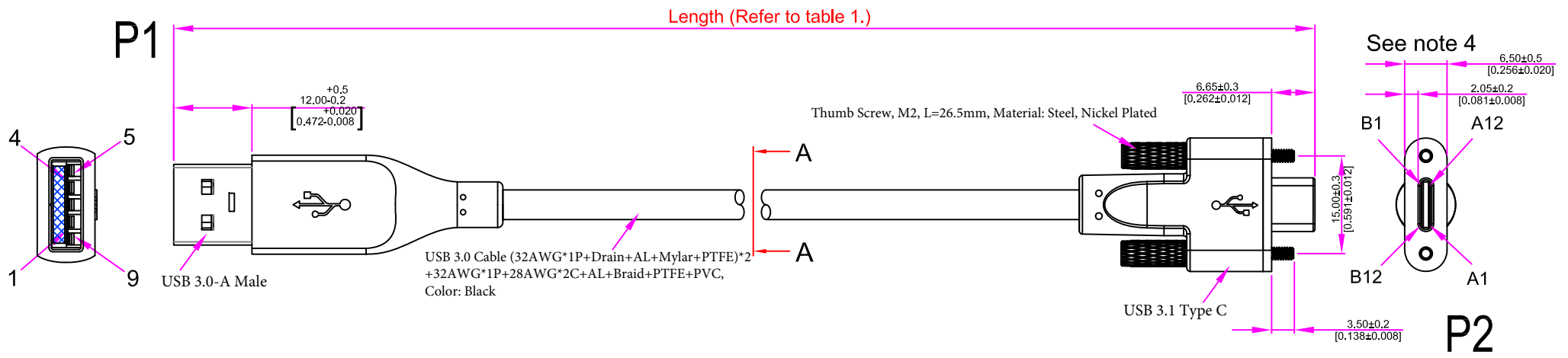


Table1.

No.	OCP P/N	Length	
		mm	Inch
1	62-00222-01	1000mm±12	39.37"±0.47"
2	62-00222-02	2000mm±30	78.74"±1.18"
3	62-00222-03	3000mm±50	118.11"±1.97"
4	62-00222-05	5000mm±50	196.85"±1.97"

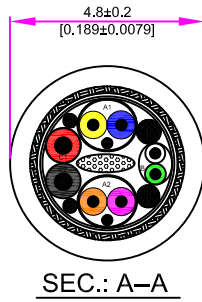
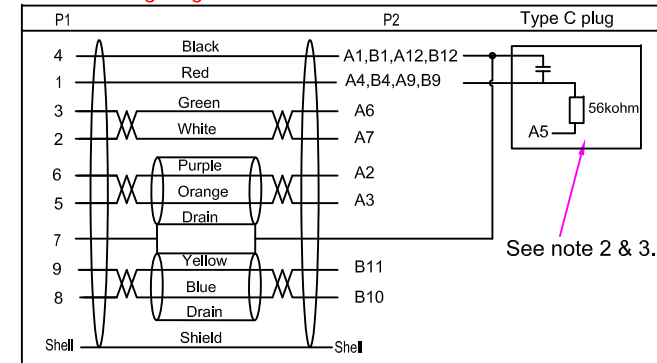


Table2. Wiring diagram:



ELECTRICAL CHARACTERISTICS:

- Contact resistance: L: 1~3m<3Ω, L: 5m<4Ω, .
- Insulation resistance: 300V/DC, L<3m 50MΩ, 3m<L<5m 20MΩ.
- All cable assemblies to be 100% tested for continuity, short & miswire.

NOTES:

- All the materials used comply to RoHS Directive 2011/65/EU and amendment 2015/863/EU.

UNLESS OTHERWISE SPECIFIED DIMENSIONS ARE IN $\frac{\text{MILLIMETERS}}{\text{[INCHES]}}$	DRAWN BY Nick Su	<p>CONNECT WITH CONFIDENCE</p>	TITLE: USB 3.1 Type AM to Type CM with Dual Locking Thumb Screws, LTK Medium Flex cable 66-00336, OD:4.8mm L="m(Refer to table 1.)	
TOLERANCES ARE: MILLIMETERS .X ±0.5 .XX ±0.20 .XXX ±0.10	CHECKED BY Allan Xue		OCP CHINA P/N: Refer to table 1.	PROJECT NO.: PJ12004044
INCHES .XX ±0.02 .XXX ±0.008 .XXXX ±0.004	APPROVED BY Jay Chow		OCP P/N: Refer to table 1.	DRAWING NO.: JT2004012
ANGULAR ±1°	PROPRIETARY AND CONFIDENTIAL THE INFORMATION CONTAINED IN THIS DRAWING IS THE SOLE PROPERTY OF OCP CHINA. PARTIAL OR TOTAL REPRODUCTION WITHOUT THE WRITTEN PERMISSION OF OCP CHINA IS PROHIBITED	CUSTOMER P/N: -	REV.: B	
		CUSTOMER REV.LEVEL: A	SCALE: Free	
		CUSTOMER NAME: -	SIZE: A4	
		DO NOT SCALE DRAWING	SHEET 1 OF 1	