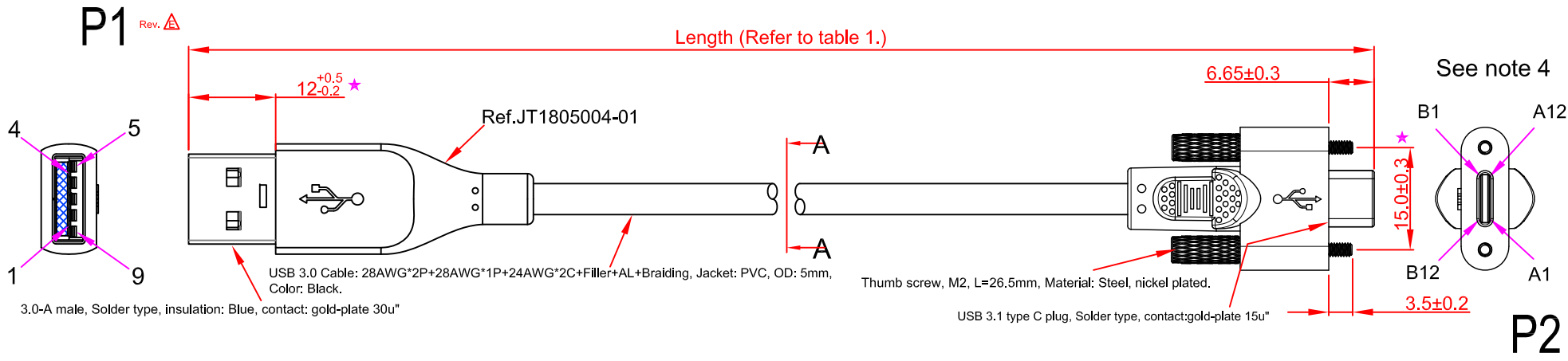
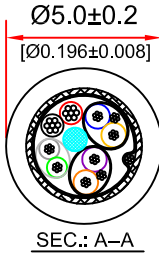
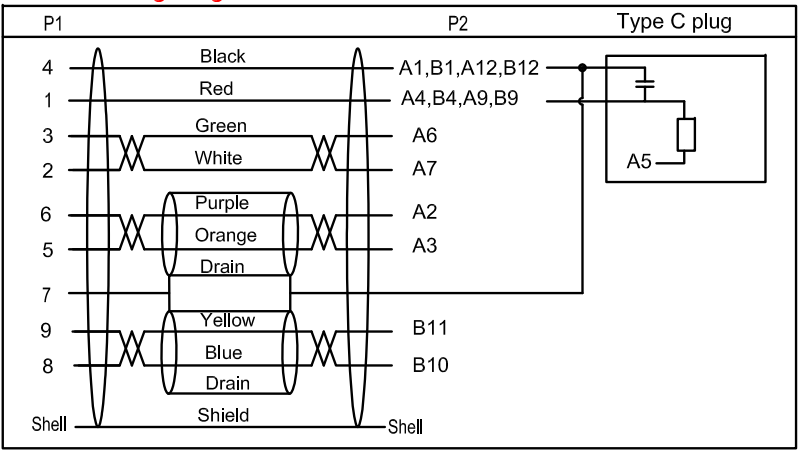


REVISIONS		
Rev.	DESCRIPTION	DATE
A	INITIAL RELEASE	09/06/2018



**Table2. Wiring diagram:**



**Table1.**

No.	OPC P/N	Length	Compliant
1	62-00214-01	1000 mm±12	3.0/3.1 Gen 2, 10 GBPS
2	62-00214-02	2000 mm±30	3.0/3.1 Gen 2, 10 GBPS
3	62-00214-03	3000 mm±30	3.0/3.1 Gen 1, 5 GBPS
4	62-00214-04	4000 mm±50	3.0/3.1 Gen 1, 5 GBPS
5	62-00214-05	5000 mm±50	3.0/3.1 Gen 1, 5 GBPS

**ELECTRICAL CHARACTERISTICS:**

- Contact resistance: <2Ω
- Insulation resistance: 300V/DC, (L<3m 50MΩ, L>3m 20MΩ)
- All cable assemblies to be 100% tested for continuity, short & miswire.

**NOTES:**

- All the materials used comply to RoHS Directive 2011/65/EU and amendm 2015/863/EU

UNLESS OTHERWISE SPECIFIED: DIMENSIONS ARE IN MILLIMETERS [INCH] TOLERANCE ARE: .X ±0.5 ANGULAR ±0.5° .XX ±0.20 .XXX ±0.1000	<b>DRAWN BY:</b> Joe Perez	
	<b>CHECKED BY:</b>	
	<b>APPROVED BY:</b> O. Acuña	
<b>PROPRIETARY AND CONFIDENTIAL</b> THE INFORMATION CONTAINED IN THIS DRAWING IS THE SOLE PROPERTY OF OCP GROUP INC. PARTIAL OR TOTAL REPRODUCTION WITHOUT THE WRITTEN PERMISSION OF OCP GROUP INC IS PROHIBITED.		<b>TITLE:</b> USB 3.0/3.1 type C to A, black to Intel RealSense D415, 435 Camera Ready.
		<b>OC P/N:</b> See Table 1.
		<b>DRAWING NO:</b> <span style="float: right;"><b>REV:</b> A</span>
	<b>UNITS:</b> MM	<b>SCALE:</b> FREE
	<b>SIZE:</b> A4	<b>SHEET 1 OF 1</b>